

HF000165 – Storage Unit

Safety Instructions – please read and retain for future reference.

After unpacking, check the product for signs of transit damage - do not use if damage is found.

Keep away from fire or flammable materials.

The maximum load weight for each basket is 5 kilograms.

Check that the product is stable before using it. Do not lift or move the product when it is loaded.

Parts of the assembly will be easier with 2 people.

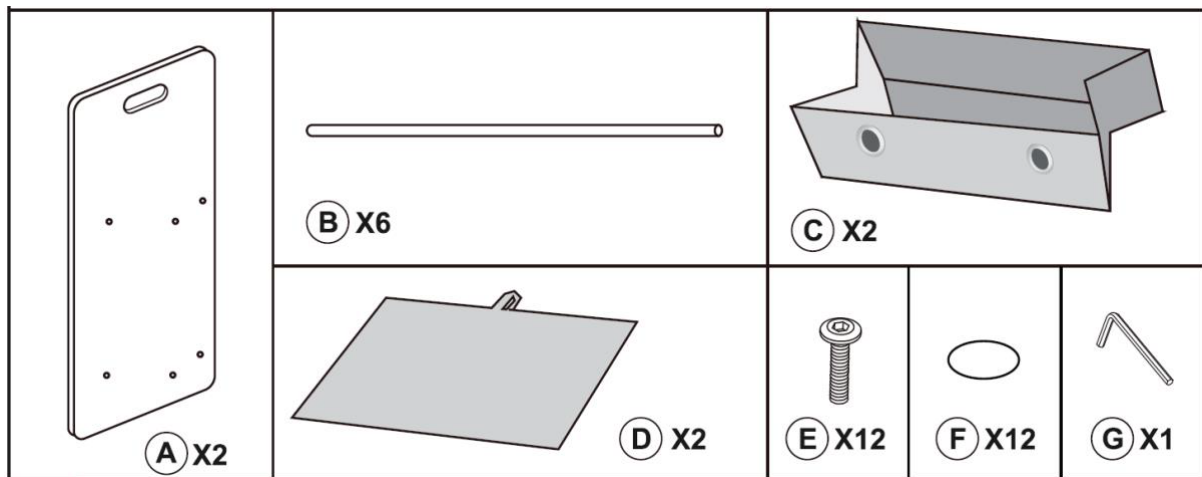
Only use on an even/level surface.

During assembly children should be kept away from the product due to possible risk of injury. Do not allow children to play with or on the desk.

To ensure an easier assembly, we strongly advise that all fittings are only finger tightened during initial assembly. Only upon completion of the assembly should all fixing points be fully tightened.

This product is to be used solely for domestic purposes.

Description of Parts



A – Frame X 2

B – Central fixing pole X 6

C – Basket X 2

D – Basket bottom X 2

E – Storage Unit fixing bolt X 12

F – Fixing bolt covering X 12

G - Allen key X 1

Care and Maintenance

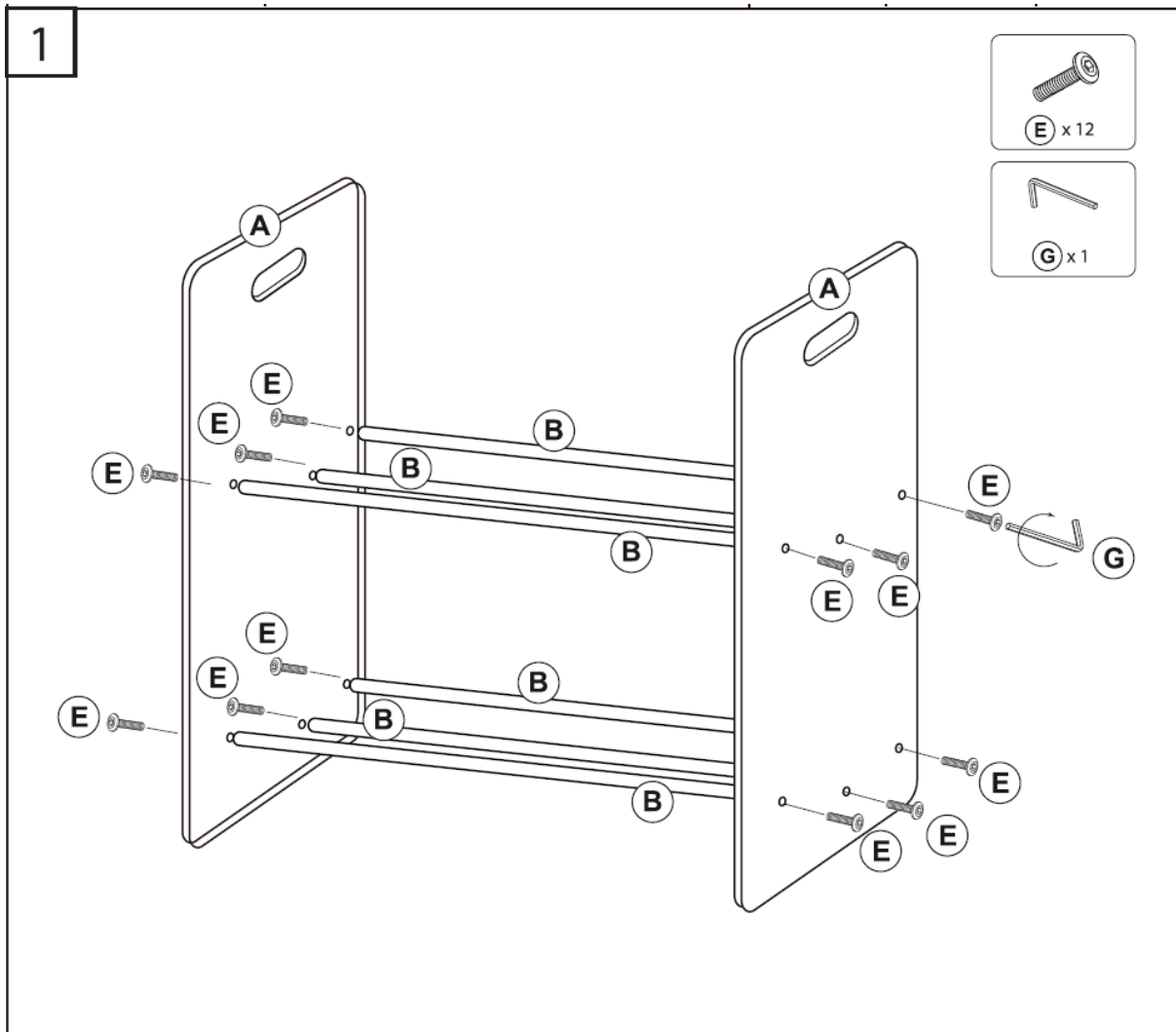
Wipe the product using a sponge or soft bristle brush and a mild cleaning solution. Never soak or immerse in the product in water.

From time to time, check that there are no loose screws or bolts on this unit.

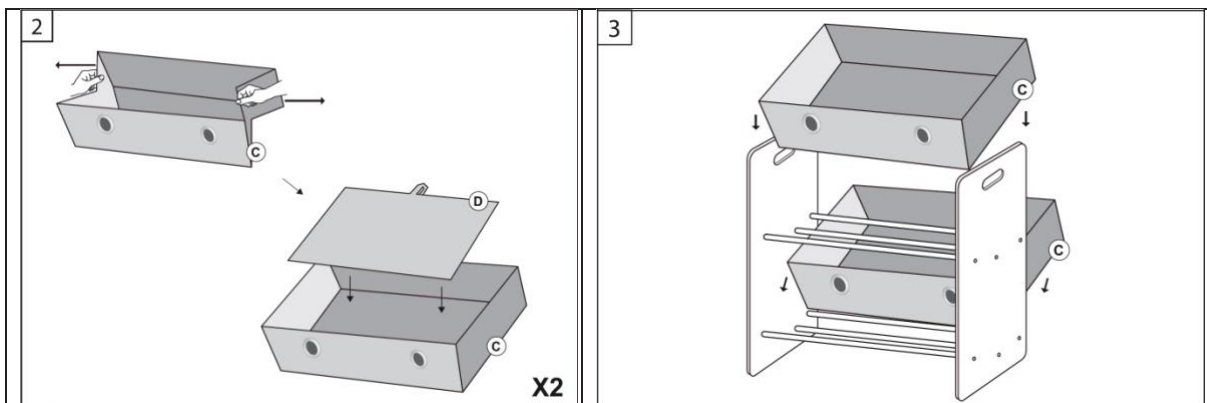
Assembling the Storage Unit

STEP 1: Align the openings in the centre of the frames (A) with the openings on the end of the central fixing poles (B).

STEP 2: Secure the frames to the central fixing poles using the twelve fixing bolts (E) and the Allen key (G) provided (as per image 1 below).



STEP 3: Peel the back off one of the fixing bolt coverings (F) and stick it over one of the fixing bolts. Repeat the process for the eleven remaining fixing bolt coverings.



STEP 4: Gently pull open one of the baskets before sliding in the basket bottom until it is firmly in place, ensuring the loop tab is facing the rear of the basket. Repeat this process for the second basket (as per image 2).

STEP 5: The assembled drawers can now be slotted into the storage unit frame and used as desired (as per image 3).

NOTE: Avoid securely fixing the bolts into place until the storage unit is fully assembled.

Disposal

This product should not be discarded within household waste. Take to your local recycling station for disposal.

Model Number (s): HF0000165

Dimensions: 50*55*35cm approx.

Manufactured by: Online Home Shop LTD, Priestley Road, Manchester, M28 2LX, UK.

For Online Support: support@onlinehomeshop.com

Made in China