

HF000163 – Coffee Table Instruction Manual

Safety Instructions – please read and retain for future reference.

After unpacking, check the product for signs of transit damage - do not use if damage is found.

Keep away from fire or flammable materials.

The maximum load weight for this product is 20 kilograms.

Check that the product is stable before using it. Do not lift or move the product when it is loaded.

Parts of the assembly will be easier with 2 people.

Only use on an even/level surface.

During assembly children should be kept away from the product due to possible risk of injury. Do not allow children to play with or on the desk.

To ensure an easier assembly, we strongly advise that all fittings are only finger tightened during initial assembly. Only upon completion of the assembly should all fixing points be fully tightened.

This product is to be used solely for domestic purposes.

Description of Parts

Parts List	Qty	Fixings List	Qty
1 – Tabletop	1	A – Fixing bolt 25mm	16
2 – Side frame	2	B – Allen key	1
3 – Top support pole	2		
4 – Bottom support pole	2		

The diagram illustrates the assembly of the coffee table. It shows a perspective view of the table with parts labeled 1 through 4. Part 1 is the rectangular tabletop. Part 2 is the side frame, consisting of two vertical legs and two horizontal base rails. Part 3 is the top support pole, which connects the tabletop to the side frame. Part 4 is the bottom support pole, which connects the side frame to the base rails. A separate box on the left shows the required fixings: 16 bolts (A) and 1 Allen key (B). The bolts are used to secure the tabletop to the top support poles, and the Allen key is used to tighten the bolts.

Care and Maintenance

Wipe the product using a sponge or soft bristle brush and a mild cleaning solution. Never soak or immerse in the product in water.

From time to time, check that there are no loose screws or bolts on this unit.

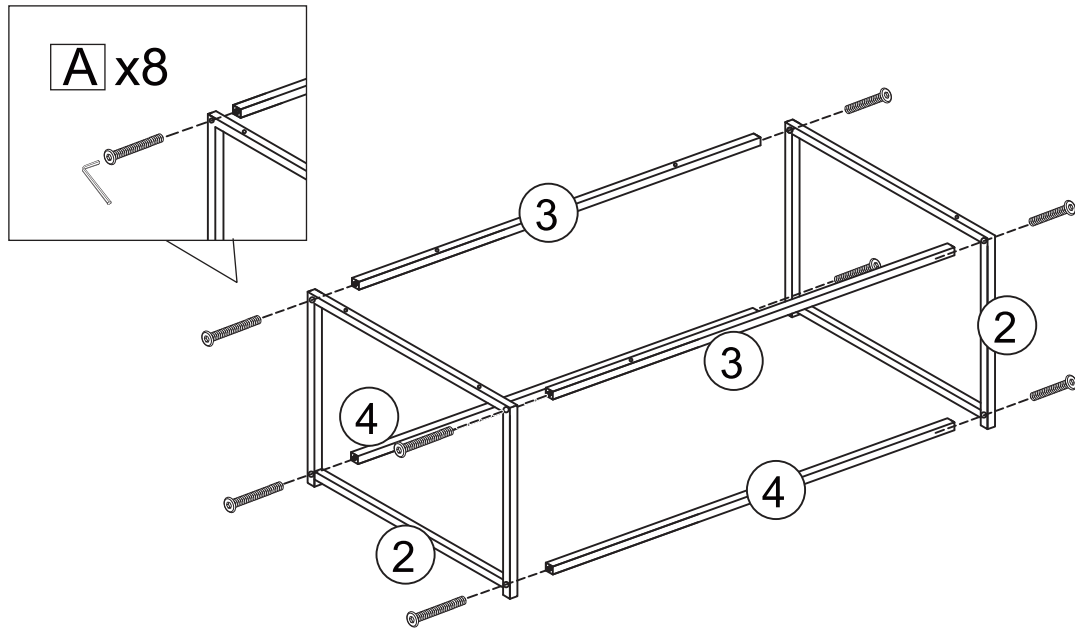
Assembling the Coffee Table

STEP 1: Align the two openings at the top of the side frames (2) with the openings on the end of the two top support poles (3).

STEP 2: Secure the frames to the support poles using four of the fixing bolts (A) and the Allen key (B) provided (as per the image below).

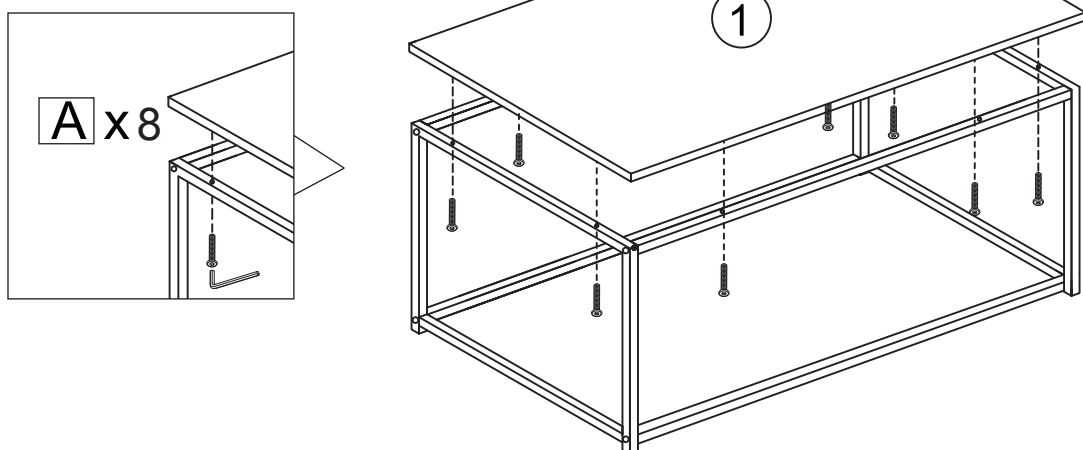
NOTE: The openings on the top support pole should be facing upwards after assembly.

STEP 1



STEP 3: Repeat the process described in Step 2 for attaching the bottom support poles (4) to the side frames.

STEP 2



STEP 4: Lie the tabletop (1) on top of the assembled frame ensuring that the indents on the underside of the tabletop align with the openings on top of the assembled table frame.

STEP 5: Secure the tabletop to the frame using eight of the fixing bolts and the Allen key (as per the above image).

NOTE: Avoid securely fixing the bolts into place until the table is fully assembled.

Disposal

This product should not be discarded within household waste. Take to your local recycling station for disposal.

Model Number (s): HF0000163

Dimensions: 40*90*48cm

Manufactured by: Online Home Shop LTD, Priestley Road, Manchester, M28 2LX, UK

For Online Support: support@onlinehomeshop.com

Made in China