

## HF000162 – Semi Circle Console Table Instruction Manual










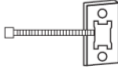


### Safety Instructions – please read and retain for future reference.

After unpacking, check the product for signs of transit damage - do not use if damage is found.  
 Keep away from fire or flammable materials.  
 The maximum load weight for this product is 20 kilograms.  
 Check that the product is stable before using it. Do not lift or move the product when it is loaded.  
 Parts of the assembly will be easier with 2 people.  
 Only use on an even/level surface.  
 During assembly children should be kept away from the product due to possible risk of injury. Do not allow children to play with or on the desk.  
 To ensure an easier assembly, we strongly advise that all fittings are only finger tightened during initial assembly. Only upon completion of the assembly should all fixing points be fully tightened.  
 This product is to be used solely for domestic purposes.

### Description of Parts

Parts List	Qty	Fixings List	Qty
<b>1</b> – Upper frame	1	<b>A</b> – 20mm Fixing bolt	8
<b>2</b> – Lower frame	1	<b>B</b> – 8mm Fixing bolt	16
<b>3</b> – Tabletop	1	<b>C</b> – Allen key	1
<b>4</b> – Central support pole	2	<b>D</b> – Wall mount fixing	1
<b>5</b> – Left Support pole	1	<b>E</b> – Wall plug	2
<b>6</b> – Right support pole	1	<b>F</b> – Wall fixing screw	2

				③ X1	
① X1				④ X2	
				⑤ X1	
② X1				⑥ X1	
 AX8	 BX16	 CX1	 DX1	 EX2	 FX2

### Care and Maintenance

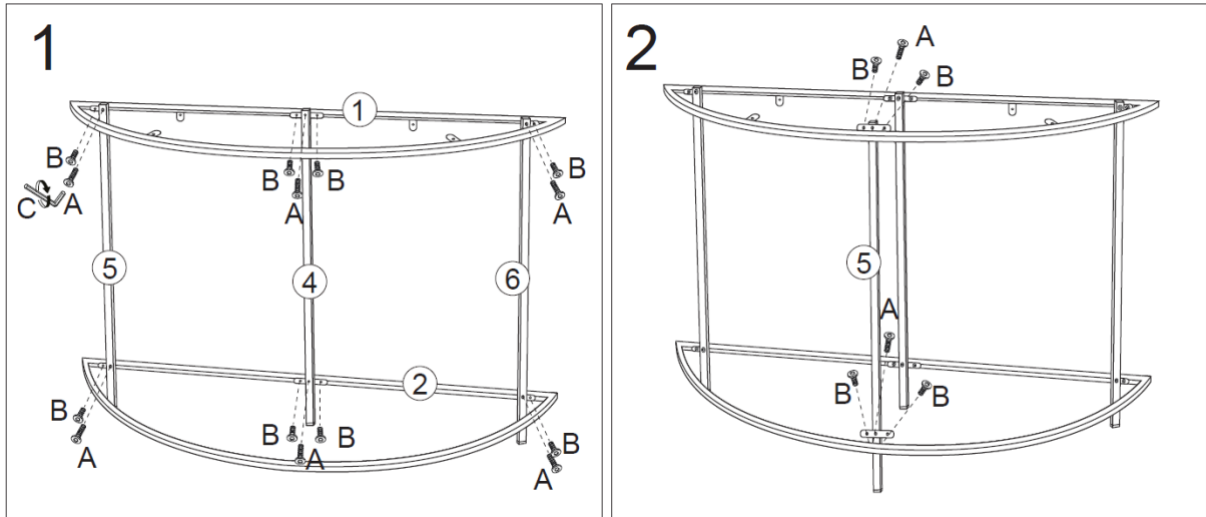
Wipe the product using a sponge or soft bristle brush and a mild cleaning solution. Never soak or immerse in the product in water.

From time to time, check that there are no loose screws or bolts on this unit.

### Assembling the Console Table

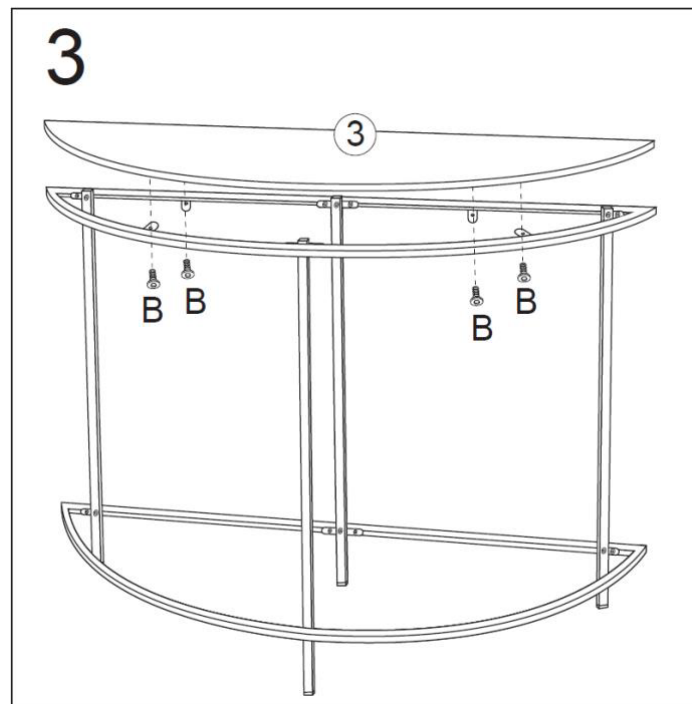
**STEP 1:** Secure the support poles to the upper and lower frames as per the arrangement in below images 1 & 2.

**NOTE:** Ensure the support poles are fixed into place using the correct lettered fixing bolts and Allen Key provided.



**STEP 2:** Align the openings on the underside of the tabletop with the openings on the upper frame. Fix the upper frame to the tabletop top using four of the fixing bolts (B) and Allen key provided, as per image 3 below.

**NOTE:** Avoid securely fixing the bolts into place until the table is fully assembled.

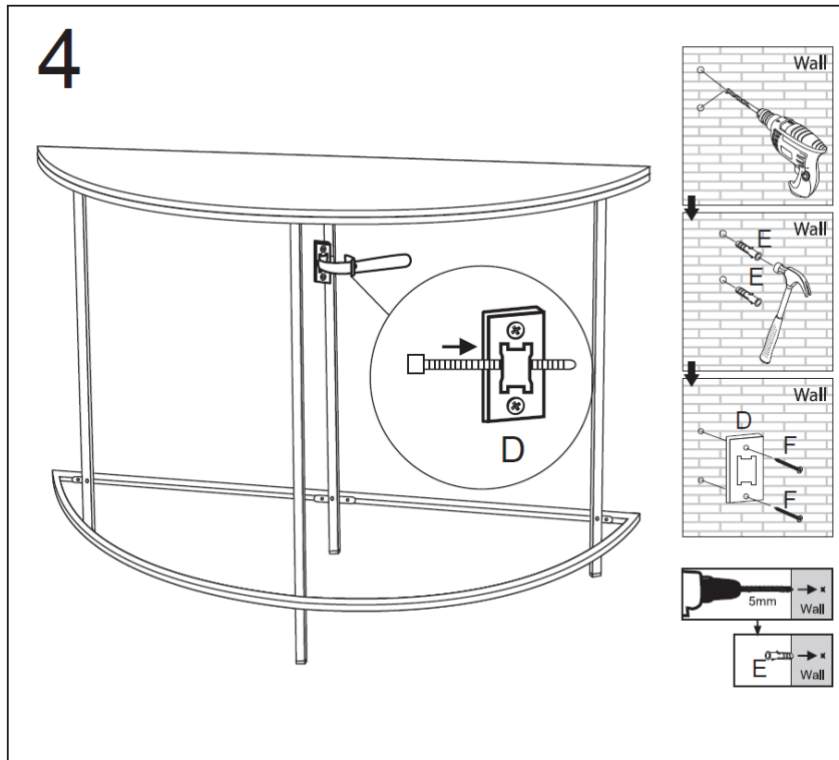


### Fixing the Console Table to the Wall

The console table can be fixed to a wall to provide additional stability during use. Before wall mounting make sure that there are no electrical, plumbing or gas suppliers situated beneath the surface of the wall. Testers are available from all good DIY stores.

**STEP 1:** Using a pencil, mark the screw hole locations on the desired surface. Make sure that the holes are marked accurately and, in the positions, required for the console table.

**STEP 2:** Using a suitable drill bit, drill two pilot holes at the marked locations. Consult a qualified professional if required.



**STEP 3:** Insert the 2 wall plugs (E) into the pilot holes so that the wall plugs sit flush with the wall surface.

**STEP 4:** Align the opening on the wall mount fixing (D) with the openings on the wall plugs. Fix the console table to the wall with the two wall fixing screws (F) and a Pozi screwdriver.

**STEP 5:** Once secure, tie the cable tie through the wall fixing and around the rear central support pole of the table, as per image 4 above.

### Disposal

This product should not be discarded within household waste. Take to your local recycling station for disposal.

**Model Number (s):** HF0000162

**Dimensions:** 111x36x74cm (approx.)

**Manufactured by:** Online Home Shop LTD, Priestley Road, Manchester, M28 2LX, UK

**For Online Support:** [support@onlinehomeshop.com](mailto:support@onlinehomeshop.com)

Made in China