

HF000161 – Desk with Shelf Instruction Manual

Safety Instructions – please read and retain for future reference.

After unpacking, check the product for signs of transit damage - do not use if damage is found.
 Keep away from fire or flammable materials.
 The maximum load weight for the desk is 20 kilograms. The maximum load for the shelf is 6 kilograms.
 Check that the product is stable before using it. Do not lift or move the product when it is loaded.
 Parts of the assembly will be easier with 2 people.
 Only use on an even/level surface.
 During assembly children should be kept away from the product due to possible risk of injury. Do not allow children to play with or on the desk.
 To ensure an easier assembly, we strongly advise that all fittings are only finger tightened during initial assembly. Only upon completion of the assembly should all fixing points be fully tightened.
 This product is to be used solely for domestic purposes.

Description of Parts

Parts List	Qty	Fixings List	Qty																																																		
1 – Lateral Frame 2 – Bar 3 – Rear Support 4 – Top Panel 5 – Shelf Panel	2 2 2 1 1	A – M6 35mm Screw B – M5 10mm Screw C – M4 10mm Screw D – Cap Nut E – M4 27mm Screw F – M4 12mm Screw G – Allen Key H – Metal Bracket I – Wall Plug	4 4 1 1 9 5 1 1 1																																																		
		<table border="1" style="width: 100%; border-collapse: collapse; text-align: center;"> <tr> <td style="width: 20%;">A</td> <td style="width: 20%;">B</td> <td style="width: 20%;">C</td> <td style="width: 20%;">D</td> <td style="width: 20%;">E</td> </tr> <tr> <td>x4</td> <td>x4</td> <td>x1</td> <td>x1</td> <td>x9</td> </tr> <tr> <td></td> <td></td> <td></td> <td></td> <td></td> </tr> <tr> <td>M6x35mm</td> <td>M5x10mm</td> <td>M4x10mm</td> <td>CAP NUT</td> <td>M4x27mm</td> </tr> <tr> <td>SCREW</td> <td>SCREW</td> <td>SCREW</td> <td>CAP NUT</td> <td>SCREW</td> </tr> <tr> <td>F</td> <td>G</td> <td>H</td> <td>I</td> <td></td> </tr> <tr> <td>x5</td> <td>x1</td> <td>x1</td> <td>x1</td> <td></td> </tr> <tr> <td></td> <td></td> <td></td> <td></td> <td></td> </tr> <tr> <td>M4x12mm</td> <td>ALLEN KEY</td> <td>METAL BRACKET</td> <td>WALL PLUG</td> <td></td> </tr> <tr> <td>SCREW</td> <td>ALLEN KEY</td> <td>METAL BRACKET</td> <td>WALL PLUG</td> <td></td> </tr> </table>		A	B	C	D	E	x4	x4	x1	x1	x9						M6x35mm	M5x10mm	M4x10mm	CAP NUT	M4x27mm	SCREW	SCREW	SCREW	CAP NUT	SCREW	F	G	H	I		x5	x1	x1	x1							M4x12mm	ALLEN KEY	METAL BRACKET	WALL PLUG		SCREW	ALLEN KEY	METAL BRACKET	WALL PLUG	
A	B	C	D	E																																																	
x4	x4	x1	x1	x9																																																	
M6x35mm	M5x10mm	M4x10mm	CAP NUT	M4x27mm																																																	
SCREW	SCREW	SCREW	CAP NUT	SCREW																																																	
F	G	H	I																																																		
x5	x1	x1	x1																																																		
M4x12mm	ALLEN KEY	METAL BRACKET	WALL PLUG																																																		
SCREW	ALLEN KEY	METAL BRACKET	WALL PLUG																																																		

Care and Maintenance

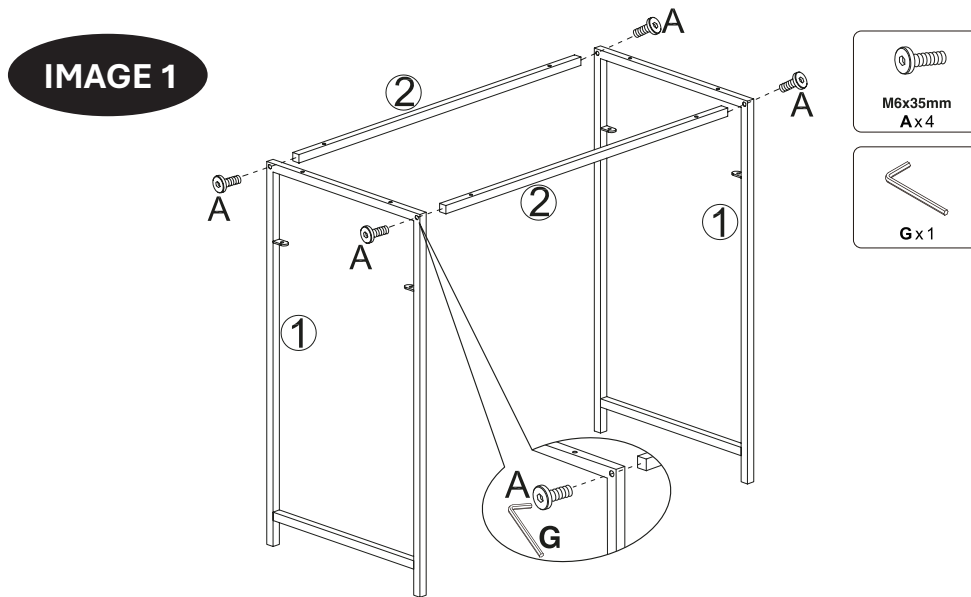
Wipe the desk using a sponge or soft bristle brush and a mild cleaning solution. Never soak or immerse in the product in water.

From time to time, check that there are no loose screws or bolts on this unit.

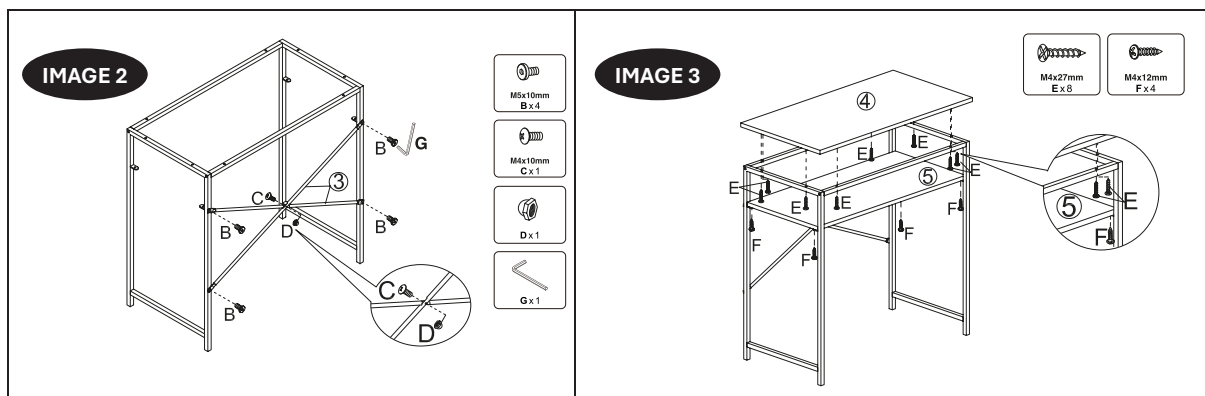
Assembling the Desk

STEP 1: Align the openings on the edges of the lateral frame (1) with the openings on the end of the two bars (2).

STEP 2: Secure the frames of the desk to the bars using the four fixing bolts (A) and the Allen key (G) provided (as per the image below).



STEP 3: Fix the two lateral support bars together by inserting the M4 10mm screw (C) through the intersection point of the two lateral frames. Before securing the screw in place using the cap nut (D) as per image 2 below.



STEP 4: Lie the top panel (4) onto the assembled frame ensuring that the indents on the underside of the top panel align with the openings on top of the desk frame. Secure the top panel to the frame using eight of the M4 fixing screws (E) and a pozi screwdriver.

STEP 5: Place the shelf panel on to the loop tabs on the lateral frame, ensuring that the indents on the underside of the shelf align with loops on the frame. Secure the shelf to the lateral frame using four of the M4 12mm screws (F) and the screwdriver.

NOTE: Avoid securely fixing the screws and bolts into place until the table is fully assembled.

Fixing the Desk to the Wall

WARNING: Make sure that there are no electrical, plumbing or gas suppliers situated beneath the surface of the wall. Testers are available from all good DIY stores.

STEP 1: Using a pencil, mark the screw hole location on the desired surface. Make sure that the hole is marked accurately and, in the positions, required for the desk.

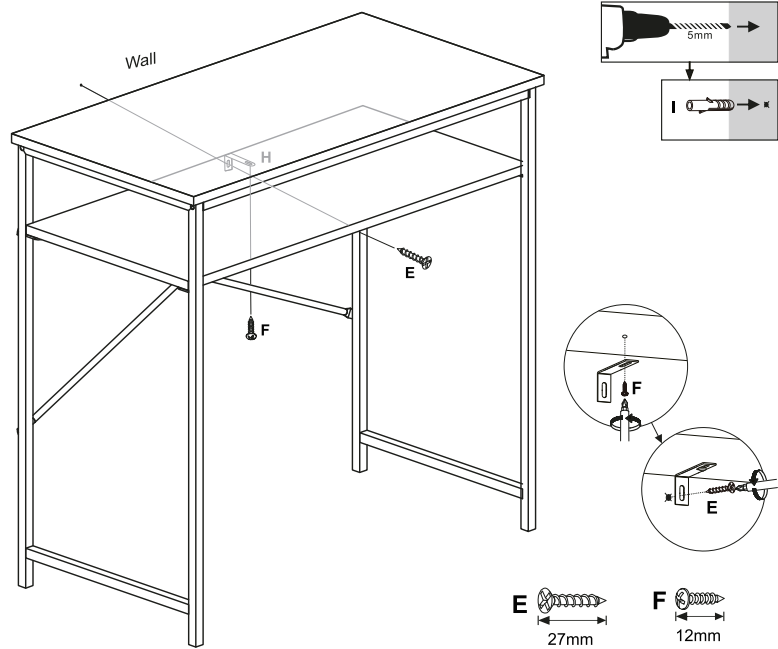
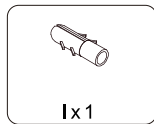
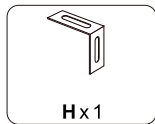
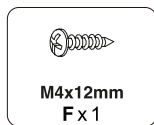
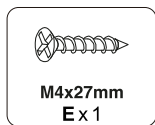
STEP 2: Using a suitable drill bit, drill a pilot hole at each marked location. Consult a qualified professional if required.

STEP 3: Insert the wall plug (I) into the pilot hole so that the wall plug sits flush with the wall surface.

STEP 4: Fix the metal bracket (H) to the underside of the shelf panel using the remaining M4 12mm screw (F) provided.

STEP 5: Align the other opening on the metal bracket with the openings on the wall plug. Fix the desk to the wall with the remaining M4 27mm wall fixing screw (E) provided, as per the below image.

IMAGE 4



Disposal

This product should not be discarded within household waste. Take to your local recycling station for disposal.

Model Number (s): HF0000161

Dimensions: 77x40x75cm approx.*

Manufactured by: Online Home Shop LTD, Priestley Road, Manchester, M28 2LX, UK

For Online Support: support@onlinehomeshop.com

Made in China