

Barstool Instruction Manual

Safety Instructions – please read and retain for future reference.

After unpacking, check the product for signs of transit damage - do not use if damage is found.

Keep away from fire or flammable materials.

Do not stand or put excessive weight on the product, this could cause damage.

The maximum safe weight for use of this product is 110 kilograms.

Check that the product is stable before using it.

Parts of the assembly process will be easier with 2 people.



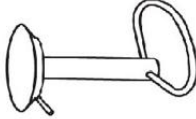




Only use on an even/level surface.

During assembly children should be kept away from the product due to possible risk of injury. Do not allow children to play with or on the product.

To ensure an easier assembly, we strongly advise that all fittings are only finger tightened during initial assembly. Only upon completion of the assembly should all fixing points be fully tightened.

This product is to be used solely for domestic purposes.

Parts List

 A x4	 B x1	 C x1	
 D x1	 E x1	 F x1	 G x1

A - 4x Bolts

B - 1x Hydraulic stem

C - 1x Footrest

D - 1x Circular Floor Base

E – 1x Seat

F - 1 x Allan Key

G - 1x Decorative Collar

Care and Maintenance

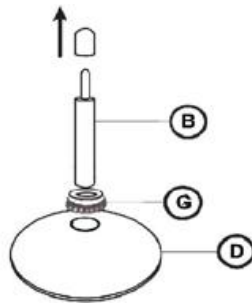
Only clean using a damp cloth and mild detergent. Do not use abrasive cleaners. Never soak or immerse in water.

The use of solvents of any kind on this product may damage the finish.

From time to time, check that there are no loose bolts on this unit.

Assembly Instructions

①

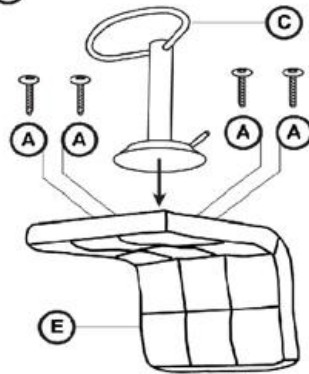


STEP 1: Place the circular base (D) on a flat surface (preferably the floor).

STEP 2: Place the decorative collar (G) over the circular base, before inserting the hydraulic stem (B) into the decorative collar and hole in the centre of the base.

NOTE: Ensure the protective plastic cover is removed from the hydraulic stem prior to proceeding any further.

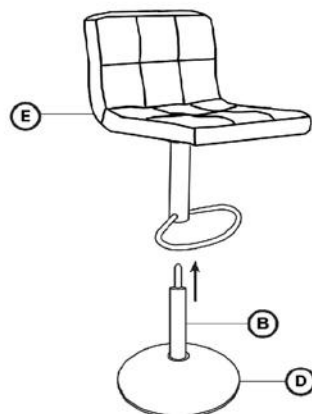
②



STEP 3: Using the Allan key (F), attach the footrest (C) to the seat (E) using the four bolts (A) provided. Ensure that the seat and the footrest bar are facing in the same direction before securing into place.

STEP 4: Carefully turn the stool upright and place on a flat surface, before fully tightening all bolts using the Allan key.

③



STEP 5: Slide the assembled seat and footrest on to the hydraulic stem until it cannot be pushed down any further.

STEP 6: to adjust the height of the barstool lift the height adjustment lever on the underside of the barstool, until the stool reaches the desired height.

Disposal

This product should not be discarded within household waste. Take to your local recycling station for disposal.

Model Number(s): HF000151, HF000152, HF000153, HF000154, HF000155

Manufactured by: Online Home Shop LTD, Priestley Road, Manchester, M28 2LX, UK.

For Online Support: support@onlinehomeshop.com

Made in China