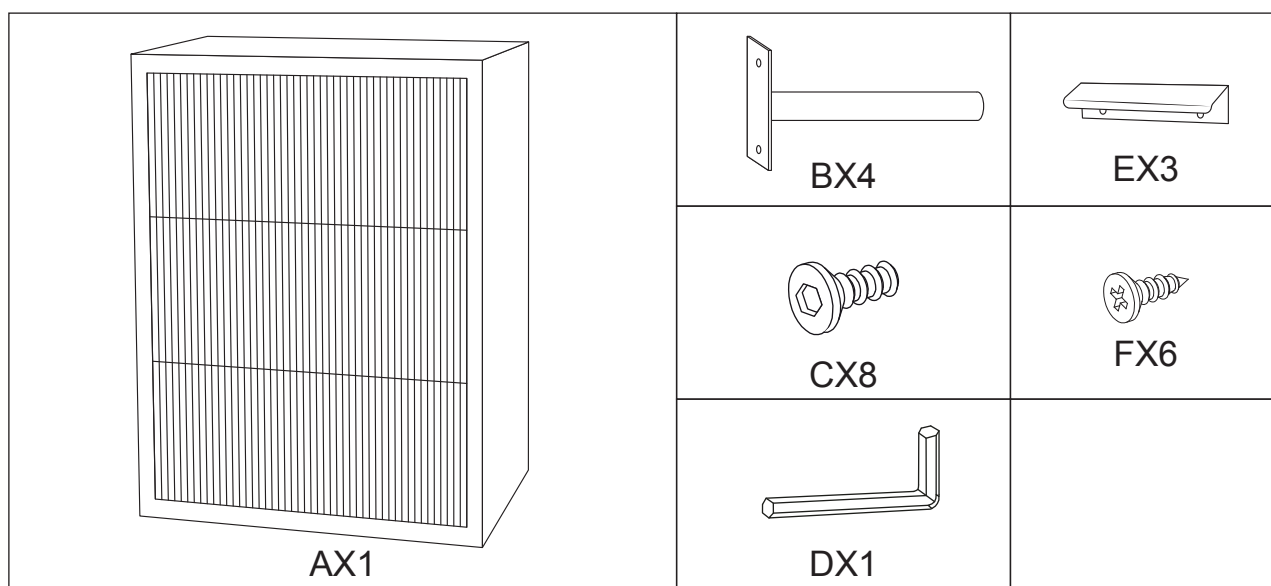


Bedside Table

Safety Instructions – please read and retain for future reference.

After unpacking, check the product for signs of transit damage - do not use if damage is found.
Keep away from fire or flammable materials.
The maximum load weight for each basket is 5 kilograms.
Check that the product is stable before using it. Do not lift or move the product when it is loaded.
Parts of the assembly will be easier with 2 people.
Only use on an even/level surface.
During assembly children and animals should be kept away from the product due to possible risk of injury.
Do not allow children to play with or on the desk.
Assemble on a soft level surface to avoid damaging the unit or your floor.
To ensure an easier assembly, we strongly advise that all fittings are only finger tightened during initial assembly. Only upon completion of the assembly should all fixing points be fully tightened.
This product is to be used solely for domestic purposes.

Description of Parts



- A** – Bedside table X 1
- B** – Bedside table leg X 4
- C** – Bedside table fixing bolt X 8
- D** – Allen key X 1
- E** – Handles X 3
- F** – Fixing screw X 6

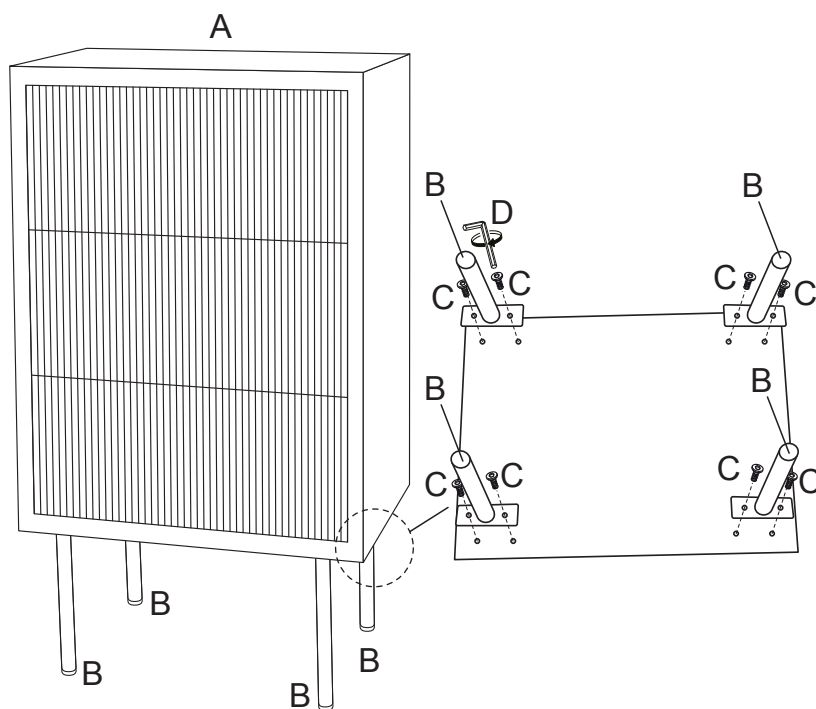
Care and Maintenance

Wipe the product using a sponge or soft bristle brush and a mild cleaning solution. Never soak or immerse in the product in water.
From time to time, check that there are no loose screws or bolts on this unit.

Assembling the Bedside Table

STEP 1: Invert the bedside table so that the underside of the table is facing upwards. Select a table leg and align the openings on the leg with the openings on the underside of the bedside table.

STEP 2: Fix the leg to the bedside table using two of the fixing bolts (C) and the Allen key (D) provided (as per the below image).



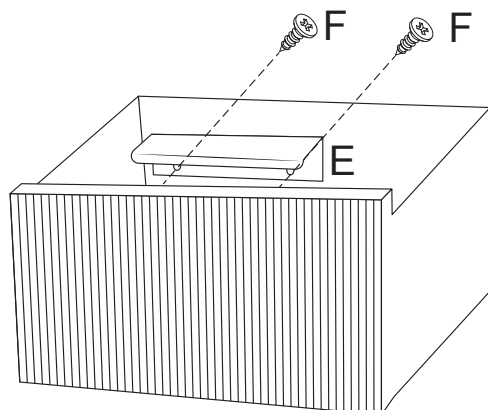
STEP 3: Repeat this process for the remaining three legs and bolts.

STEP 4: Once all four legs are firmly fixed in place, invert the bedside table, and use as desired.

STEP 5: To attach the top-drawer handle, first remove the top drawer from the main unit.

STEP 6: Align the fixing holes on the handle (E) with the indentations on the drawer, before securing the handle in place with two of the fixing screws (F).

STEP 7: Repeat the process with the remaining two drawers (as per the image below).



X3

NOTE: Avoid securely fixing the screws and bolts into place until the bedside table is fully assembled.

Disposal

This product should not be discarded within household waste. Take to your local recycling station for disposal.

Model Number (s): HF0000147, HF000148

Dimensions: 36*24*64cm approx.

Manufactured by: Online Home Shop LTD, Priestley Road, Manchester, M28 2LX, UK.

For Online Support: support@onlinehomeshop.com

Made in China