

## HF000138 – Display Shelving Instruction Manual

**Safety Instructions** – please read and retain for future reference.

After unpacking, check the product for signs of transit damage - do not use if damage is found.

Keep away from fire or flammable materials.

Do not stand or put excessive weight on the product, this could cause damage.

The maximum weight load for each shelf is 3 kilograms.

Check that the product is stable before using it. Do not lift or move the product when it is loaded.

Parts of the assembly will be easier with 2 people.

Only use on an even/level surface.

During assembly children should be kept away from the product due to possible risk of injury.

Do not allow children to play with or climb on the shelf.

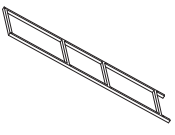
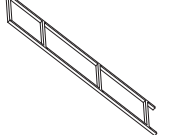
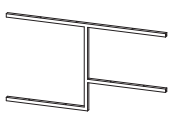
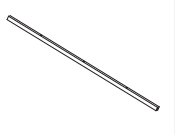
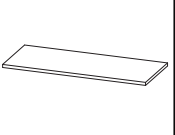
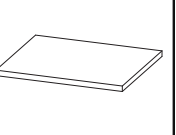
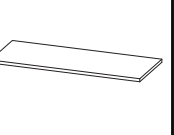
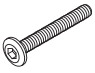


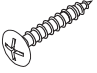
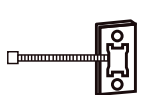

To ensure an easier assembly, we strongly advise that all fittings are only finger tightened during initial assembly. Only upon completion of the assembly should all fixing points be fully tightened.

Ensure all platforms are secure prior to applying any weight to the product.

This product is to be used solely for indoor domestic purposes.

### **Description of Parts**

<b>Parts List</b>	<b>Qty</b>	<b>Fixings List</b>	<b>Qty</b>
<b>1</b> – Left Metal Frame	1	<b>A</b> – 25mm Screw	16
<b>2</b> – Right Metal frame	1	<b>B</b> – 20mm Screw	30
<b>3</b> – Back Metal Frame	2	<b>C</b> – Allen key	1
<b>4</b> – Connecting pole	4	<b>D</b> – 35mm Wall Screw	4
<b>5</b> – Long Shelf	2	<b>E</b> – Anti Tip Strap	2
<b>6</b> – Short Shelf	2	<b>F</b> – Wall Plug	4
<b>7</b> – Top Panel	1		

<b>①</b>		<b>②</b>		<b>③</b>		<b>④</b>		<b>⑤</b>		<b>⑥</b>		<b>⑦</b>	
	x1		x1		x2		x4		x2		x2		x1
													
LEFT METAL FRAME		RIGHT METAL FRAME		BACK METAL FRAME		CONNECTING PIPE		LONG SHELF PANEL		SHORT SHELF PANEL		TOP PANEL	
<b>A</b>	x16	<b>B</b>	x30	<b>C</b>	x1	<b>D</b>	x4	<b>E</b>	x2	<b>F</b>	x4		
													
6 x 25 mm		4 x 20 mm				4 x 35 mm		ANTI-TIP STRAP		WALL PLUG			
SCREW		SCREW		ALLEN WRENCH		SCREW		ANTI-TIP STRAP		WALL PLUG			

### Care and Maintenance

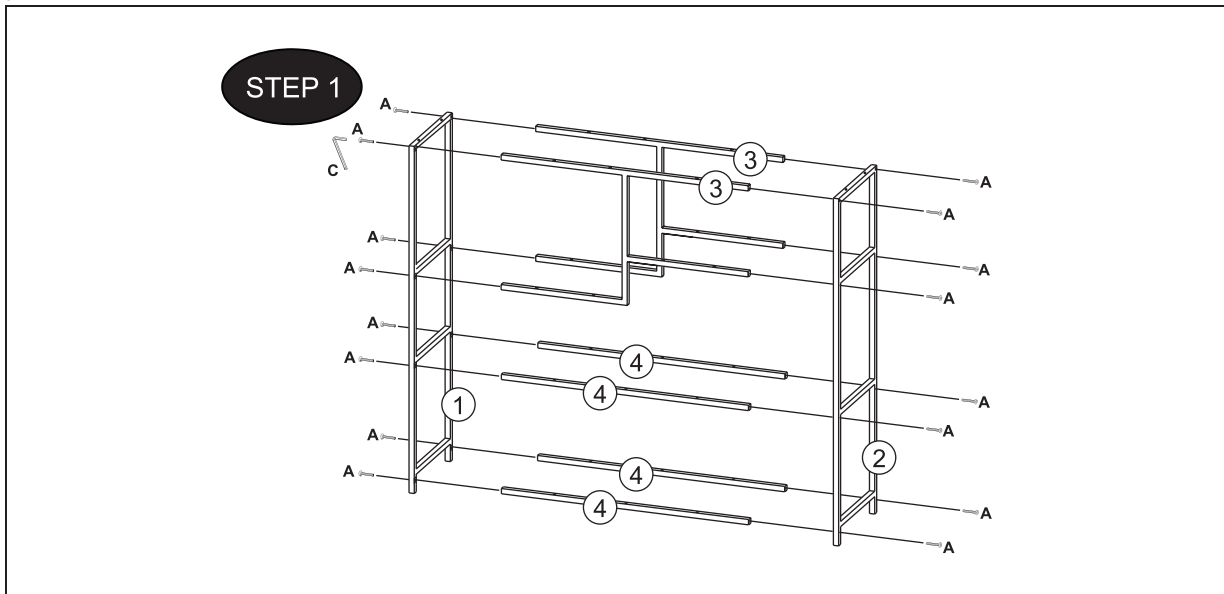
Only clean using a damp cloth and mild detergent. Do not use abrasive cleaners. Never soak or immerse in water.

The use of solvents of any kind on this product may damage the finish.

From time to time, check that there are no loose bolts on this unit.

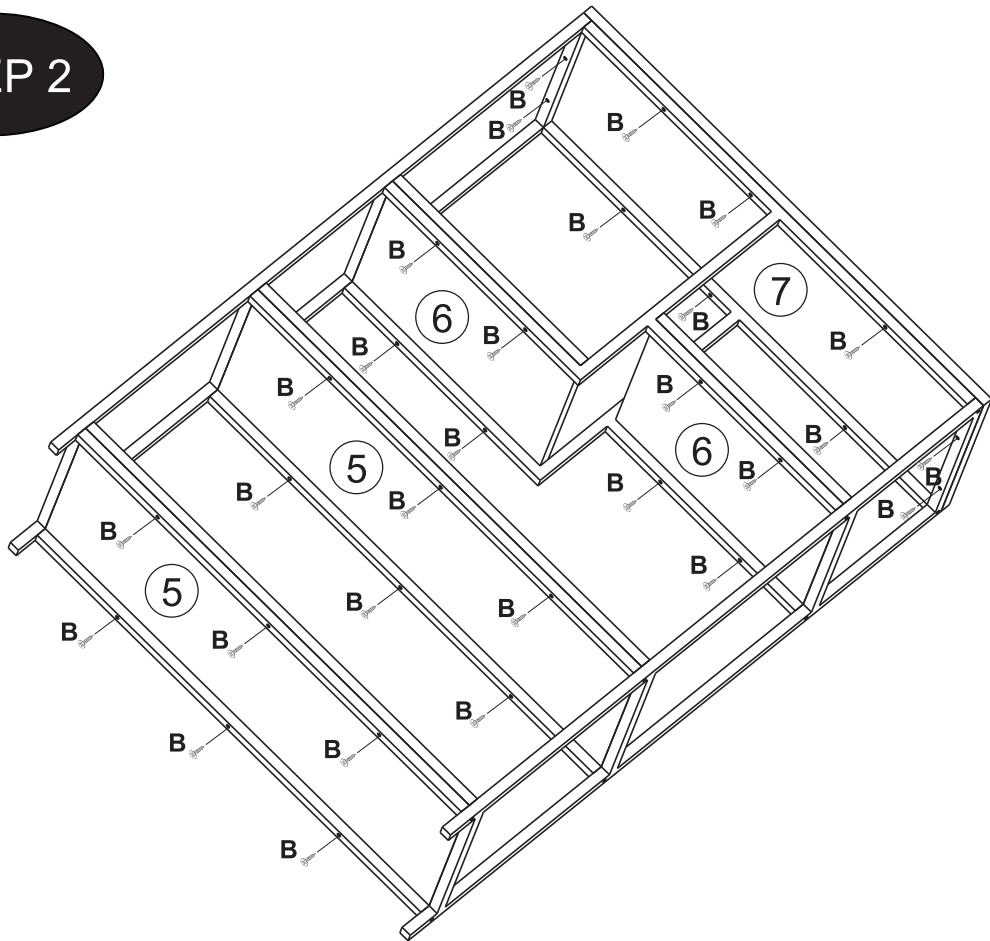
### Assembling the Display Shelving

**STEP 1:** Arrange the metal frames and connecting pole on a flat surface as per the below “STEP 1” image. Fix the frames into place using the sixteen 25mm screws (A) and Allen key (C) provided.



**STEP 2:** Place the shelves on to the frame, ensuring the shelf size corresponds to the available gap on the metal frame. Secure the frames in place using the 20mm screws (B) and a Pozi screwdriver as per “STEP 2” image below.

## STEP 2



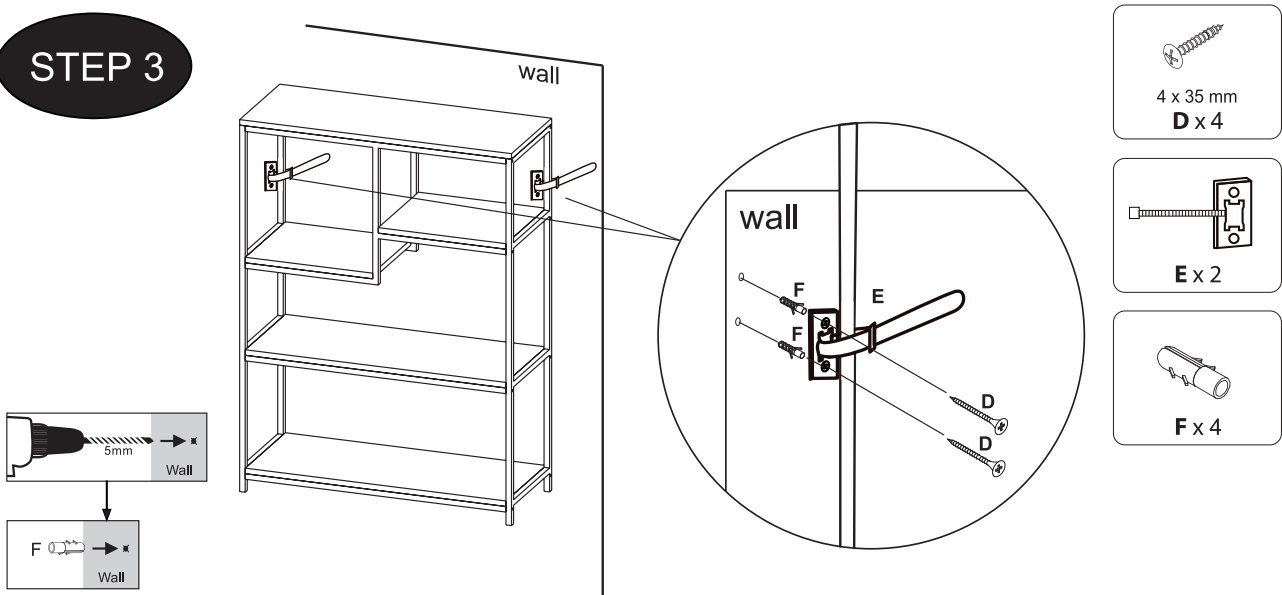
### Fixing the Display Shelving to the Wall

The display shelving can be fixed to a wall to provide additional stability during use. Before wall mounting make sure that there are no electrical, plumbing or gas suppliers situated beneath the surface of the wall. Testers are available from all good DIY stores.

**STEP 1:** Using a pencil, mark the screw hole locations on the desired surface. Make sure that the holes are marked accurately and, in the positions, required for the shelving.

**STEP 2:** Using a suitable drill bit, drill a pilot hole at the marked location. Consult a qualified professional if required.

# STEP 3



**STEP 3:** Insert the 4 wall plugs (F) into the pilot holes so that the wall plugs sit flush with the wall surface.

**STEP 4:** Align the opening on the wall mount fixing (E) with the openings on the wall plugs. Fix the shelf to the wall with the wall fixing screws (D) provided and a Pozi screwdriver.

**STEP 5:** Once secure, tie the strap of each wall fixing around the outer metal frames of the shelving, as per the above image.

## Disposal

This product should not be discarded within household waste. Take to your local recycling station for disposal.

**Model Number:** HF000138

**Dimensions:** 100x75x30cm (approx.\*)

**Manufactured by:** Online Home Shop LTD, Priestley Road, Manchester, M28 2LX, UK

**For Online Support:** [support@onlinehomeshop.com](mailto:support@onlinehomeshop.com)

Made in China