

## HF000136 – 4 Tier Shelving Instruction Manual

**Safety Instructions** – please read and retain for future reference.

After unpacking, check the product for signs of transit damage - do not use if damage is found.

Keep away from fire or flammable materials.

Do not stand or put excessive weight on the product, this could cause damage.

The maximum weight load for each shelf is 4 kilograms.

Check that the product is stable before using it. Do not lift or move the product when it is loaded.

Parts of the assembly will be easier with 2 people.

Only use on an even/level surface.

During assembly children should be kept away from the product due to possible risk of injury. Do not allow children to play with or climb on the shelf.

To ensure an easier assembly, we strongly advise that all fittings are only finger tightened during initial assembly. Only upon completion of the assembly should all fixing points be fully tightened.

Ensure all platforms are secure prior to applying any weight to the product.

This product is to be used solely for indoor domestic purposes.

### Description of Parts

**A** – Frame X 2

**B – E** Shelves (B, C, D, E) X 1

**F** – Fixing Bolt X 16

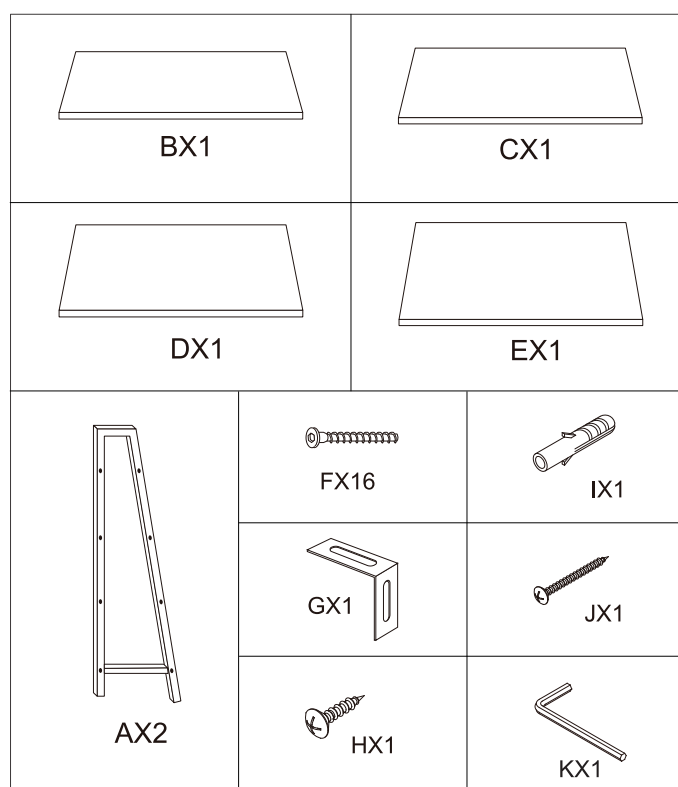
**G** – Wall fixing X 1

**H** – Shelf fixing screw X 1

**I** – Wall plug X 1

**J** – Wall fixing screw X 1

**K** – Allen Key X 1



### Care and Maintenance

Only clean using a damp cloth and mild detergent. Do not use abrasive cleaners. Never soak or immerse in water.

The use of solvents of any kind on this product may damage the finish.

From time to time, check that there are no loose bolts on this unit.

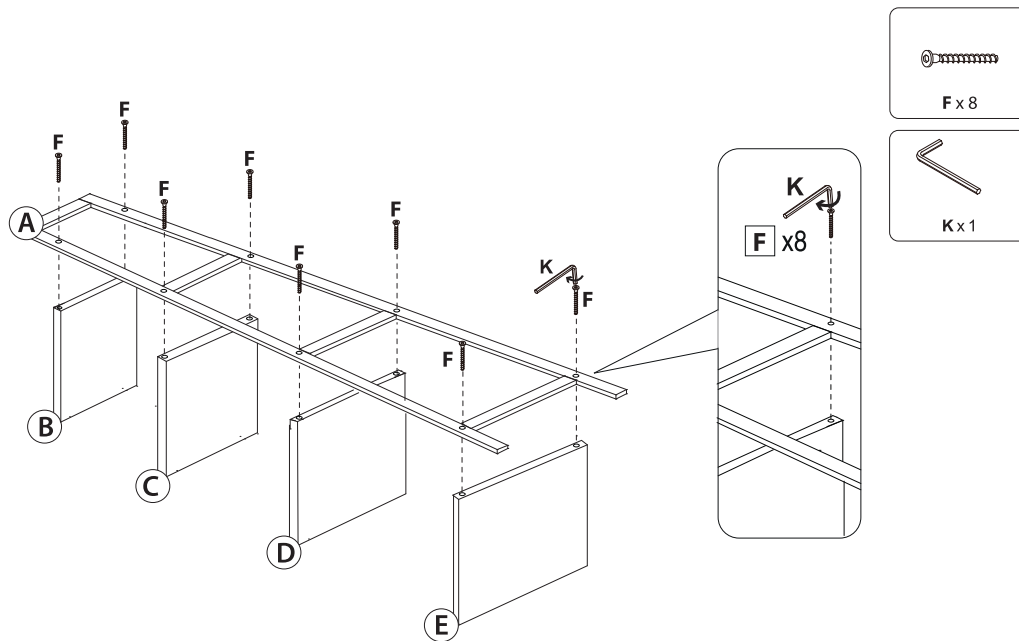
### Assembling the 4 Tier Shelf

**STEP 1:** Lie the shelves flat in descending height order and align the openings on the shelves with the openings on the frame (A), as per instruction image below.

**STEP 2:** Fix the shelves into place using 8 of the fixing bolts (F) and Allen key (K) provided.

**STEP 3:** Carefully turn the frame and shelves over and repeat the process for the other frame.

**NOTE:** Ensure that the top shelf (B) containing the wall fixing hole is at the top of the frame and the hole is facing downwards.

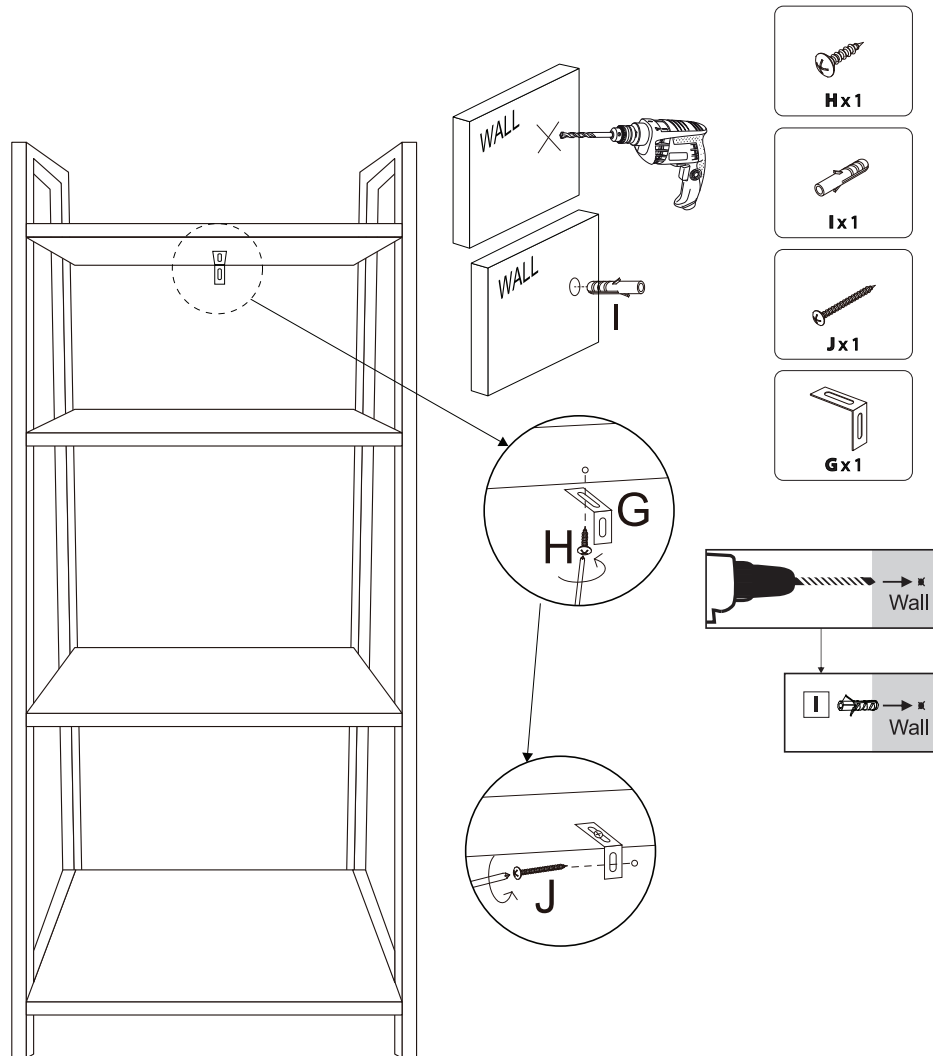


### Fixing the shelf to the Wall

**WARNING:** make sure that there are no electrical, plumbing or gas suppliers situated beneath the surface of the wall. Testers are available from all good DIY stores.

**STEP 1:** Using a pencil, mark the screw hole location on the desired surface. Make sure that the hole is marked accurately and, in the positions, required for the shelf.

**STEP 2:** Using a suitable drill bit, drill a pilot hole at the marked location. Consult a qualified professional if required.



**STEP 3:** Insert the wall plug (I) into the pilot hole so that the wall plug sits flush with the wall surface.

**STEP 4:** Fix the wall mount fixing (G) to the underside of the top shelf (B) using the shelf fixing screw (H) provided.

**STEP 5:** Align the opening on the wall mount fixing with the openings on the wall plug. Fix the shelf to the wall with the wall fixing screw (I) provided and a Pozi screwdriver.

### Disposal

This product should not be discarded within household waste. Take to your local recycling station for disposal.

**Model Number:** HF000136

**Dimensions:** 90x43x30cm (approx.\*)

**Manufactured by:** Online Home Shop LTD, Priestley Road, Manchester, M28 2LX, UK Made in China

**For Online Support:** [support@onlinehomeshop.com](mailto:support@onlinehomeshop.com)

Made in China